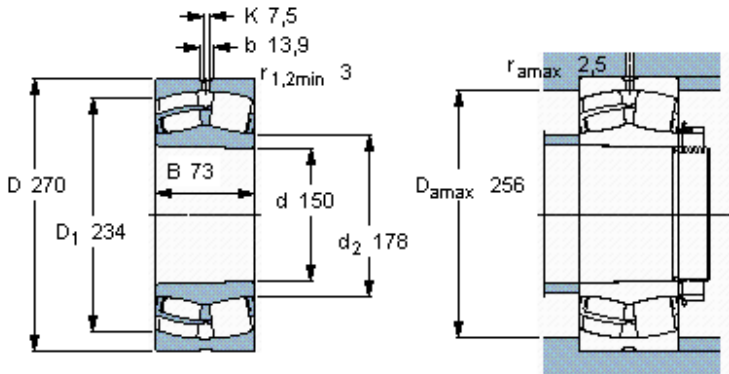


Spherical roller bearings, cylindrical and tapered bore

Principal dimensions			Basic load ratings		Speed ratings		Designation
d	D	B	dynamic C	static C0	Reference speed	Limiting speed	* SKF Explorer bearing
mm			kN		r/min		-
150	270	73	898	1080	2200	3000	22230 CCK/W33 *



Tapered bore, taper
1: 12

Calculation factors

- e 0,26
- Y_1 2,6
- Y_2 3,9
- Y_0 2,5